

NAME:

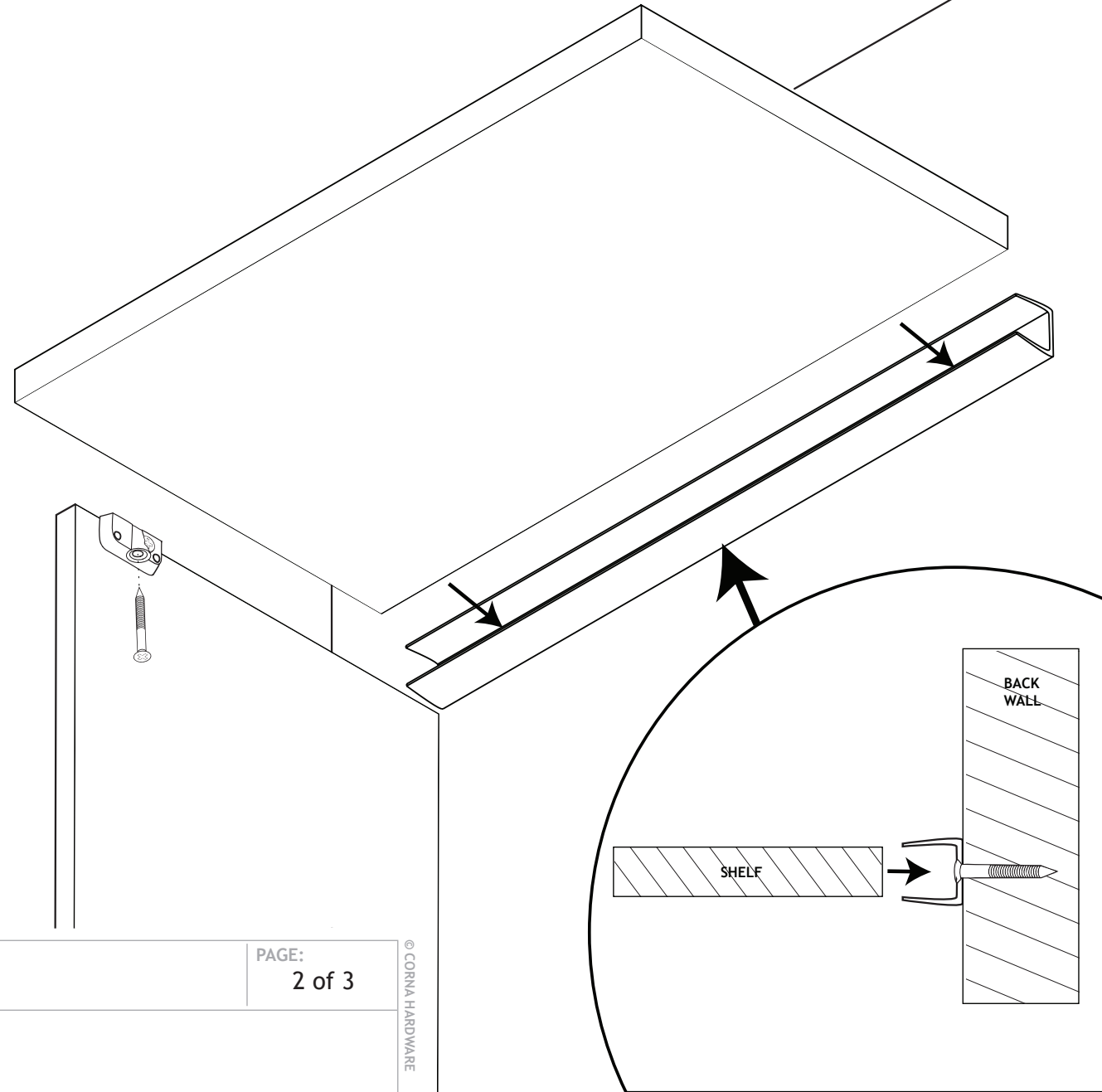
**Channel 16mm**

PAGE:

1 of 3

DESCRIPTION:

Attach the Channel to the back wall with a couple of screws.



NAME:

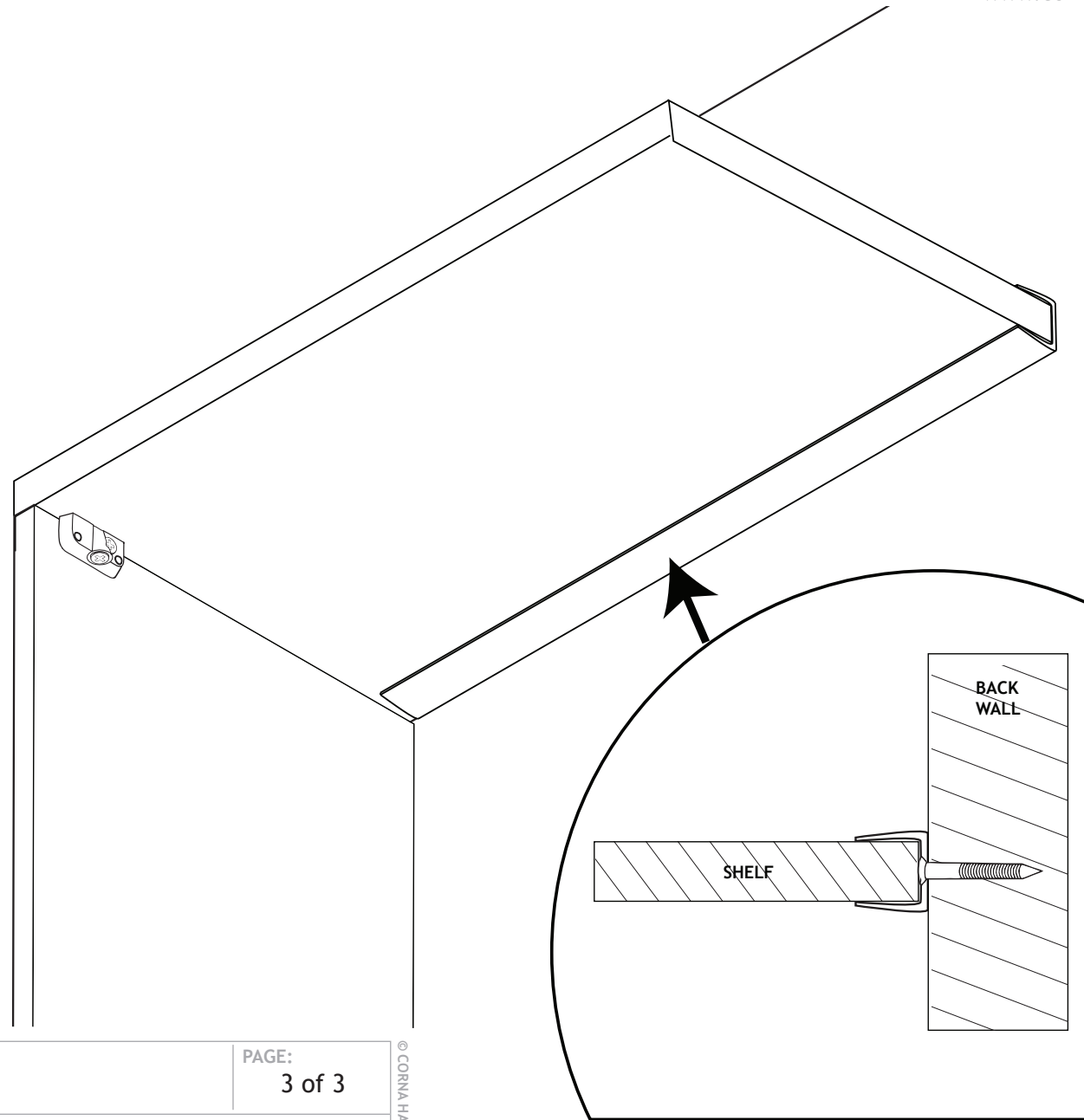
**Channel 16mm**

PAGE:

2 of 3

DESCRIPTION:

Slide the shelf into the Channel.



NAME:

**Channel 16mm**

PAGE:

3 of 3

DESCRIPTION:

Connect the shelf with Quick Clip to the side wall. Channel replaces timber wall plates used to support inbuilt and walk-in wardrobe shelves of 16mm thickness. Ideal for all upright panels.