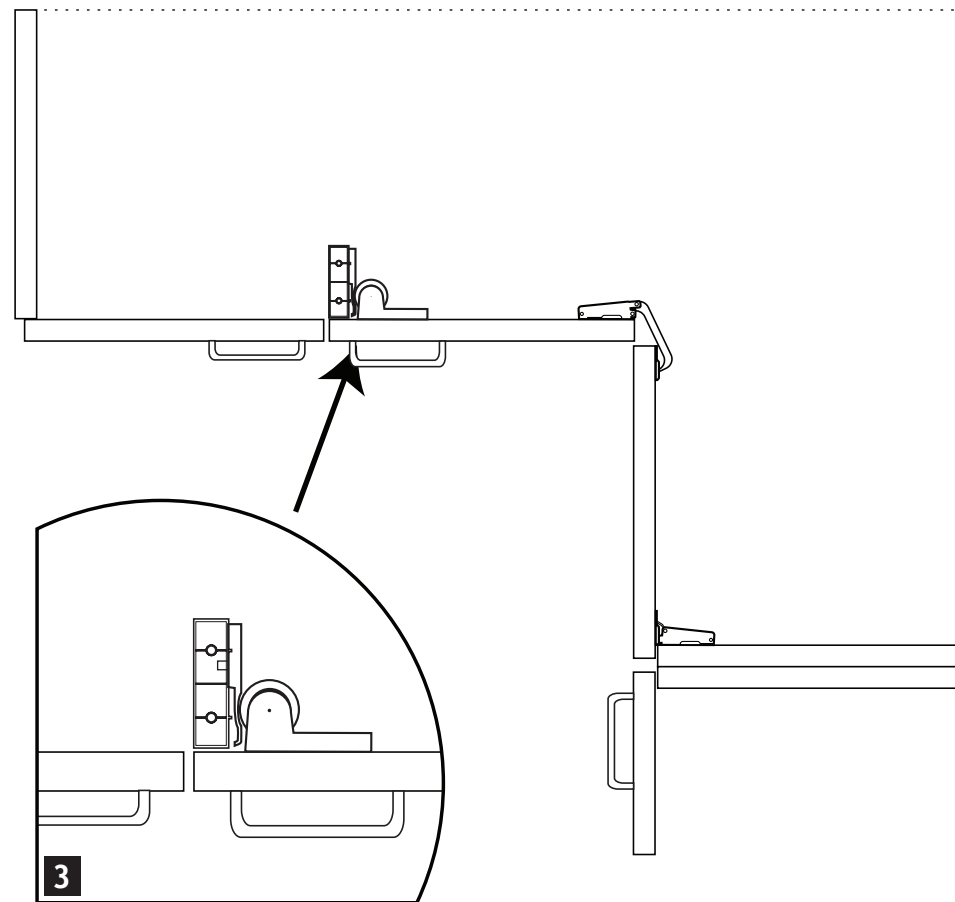
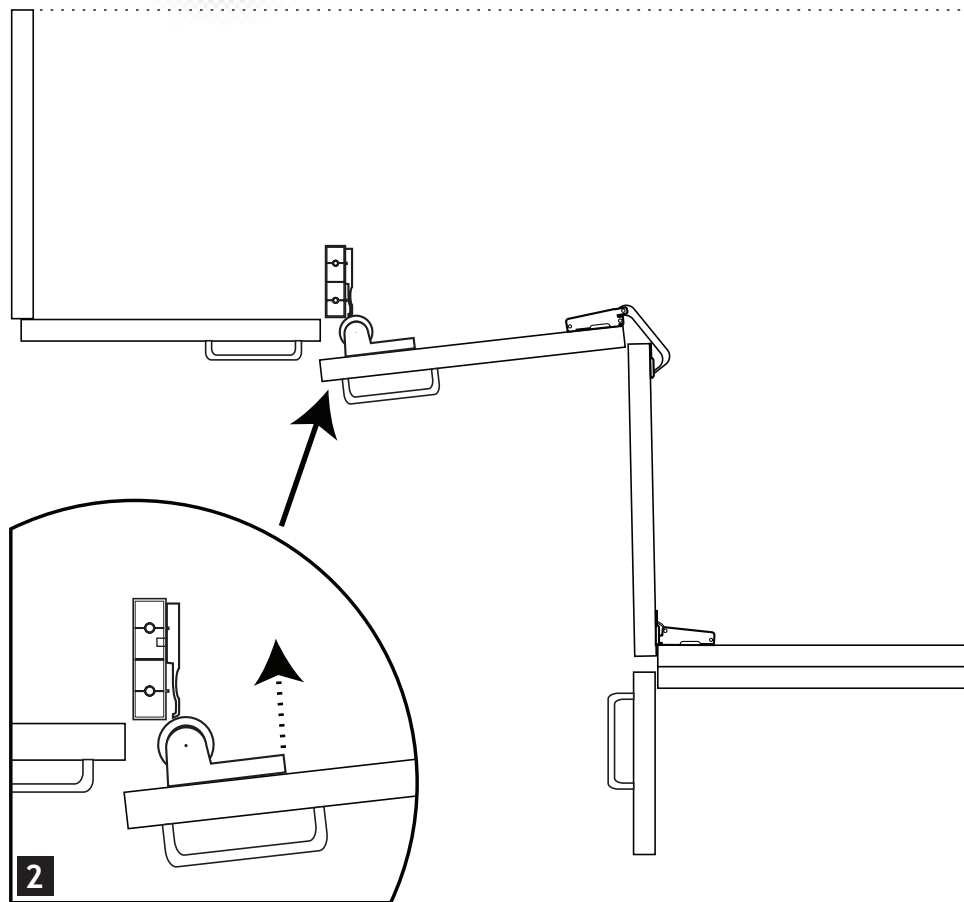


<p>NAME: <b>Support catch side mount - fitting instructions</b></p>	<p>PAGE: 1 of 5</p>
<p>DESCRIPTION: This catch is for L shaped extended 3 door corner units having two doors on one face and one on the other. 1.) Soft wheel stops damage to adjacent doors when wrongly operated.</p>	



NAME:

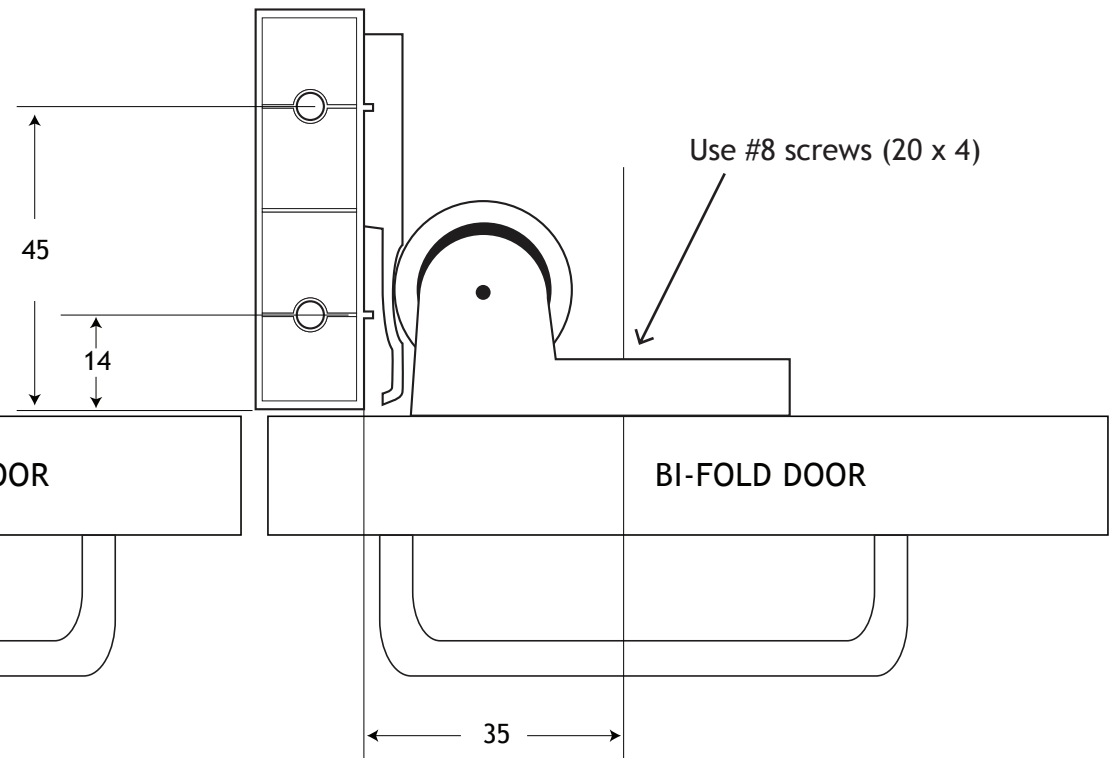
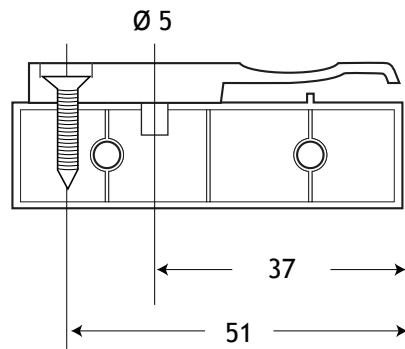
**Support catch side mount - fitting instructions**

PAGE:

2 of 5

DESCRIPTION:

2.) Prevents door edge contact. 3.) Keeper applies sideways tension preventing dropping of the cabinet door.



NAME:

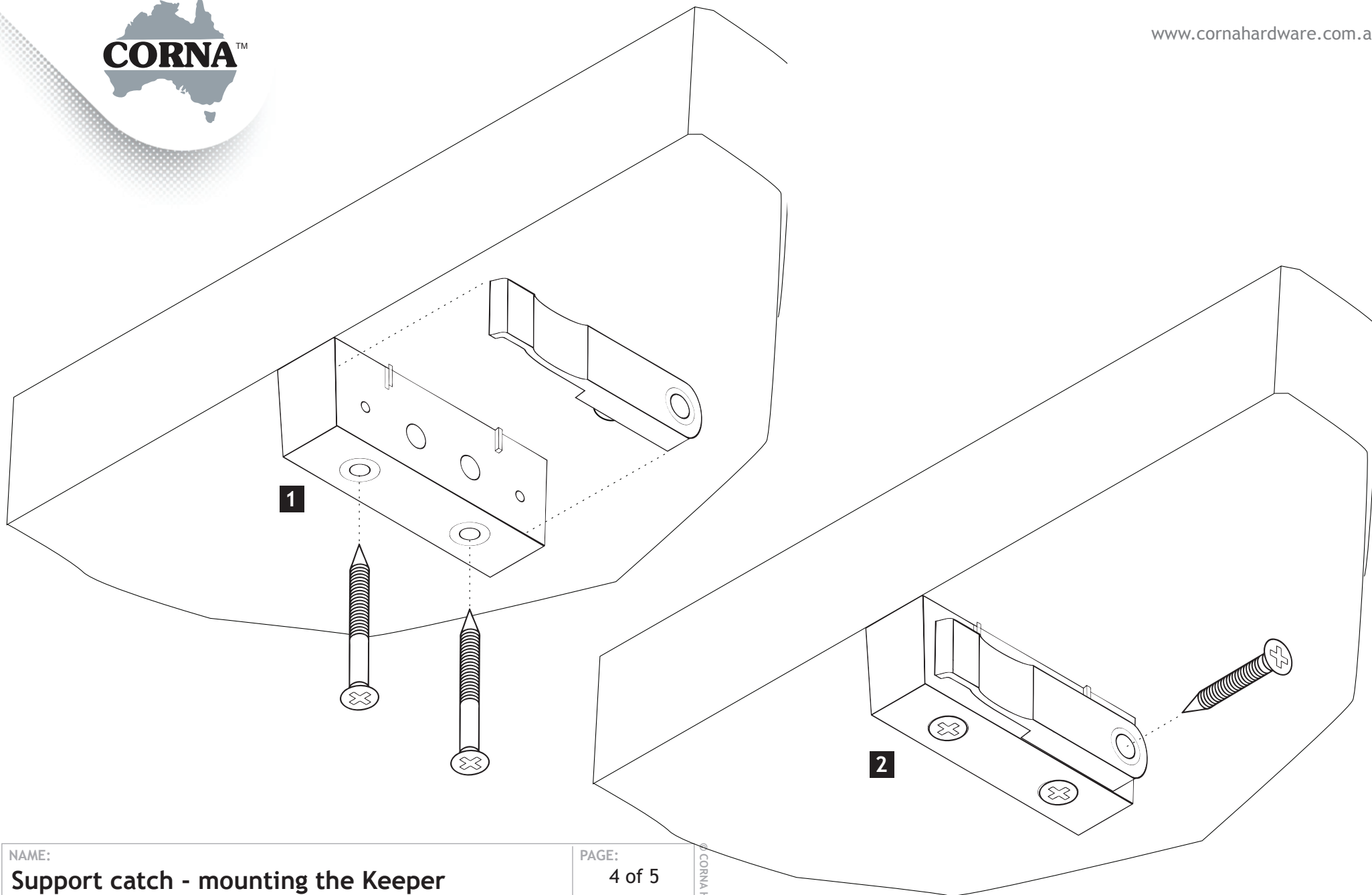
## Support catch top mount - fitting instructions

PAGE:

3 of 5

DESCRIPTION:

The catch keeper has a 5mm/ 7/32" diameter pin which locates into a system 32 hole directly behind the location of the door handle but towards the top of the door on overhead cupboards. The wheel bracket fits to the back of the door as detailed in drawing.



NAME:

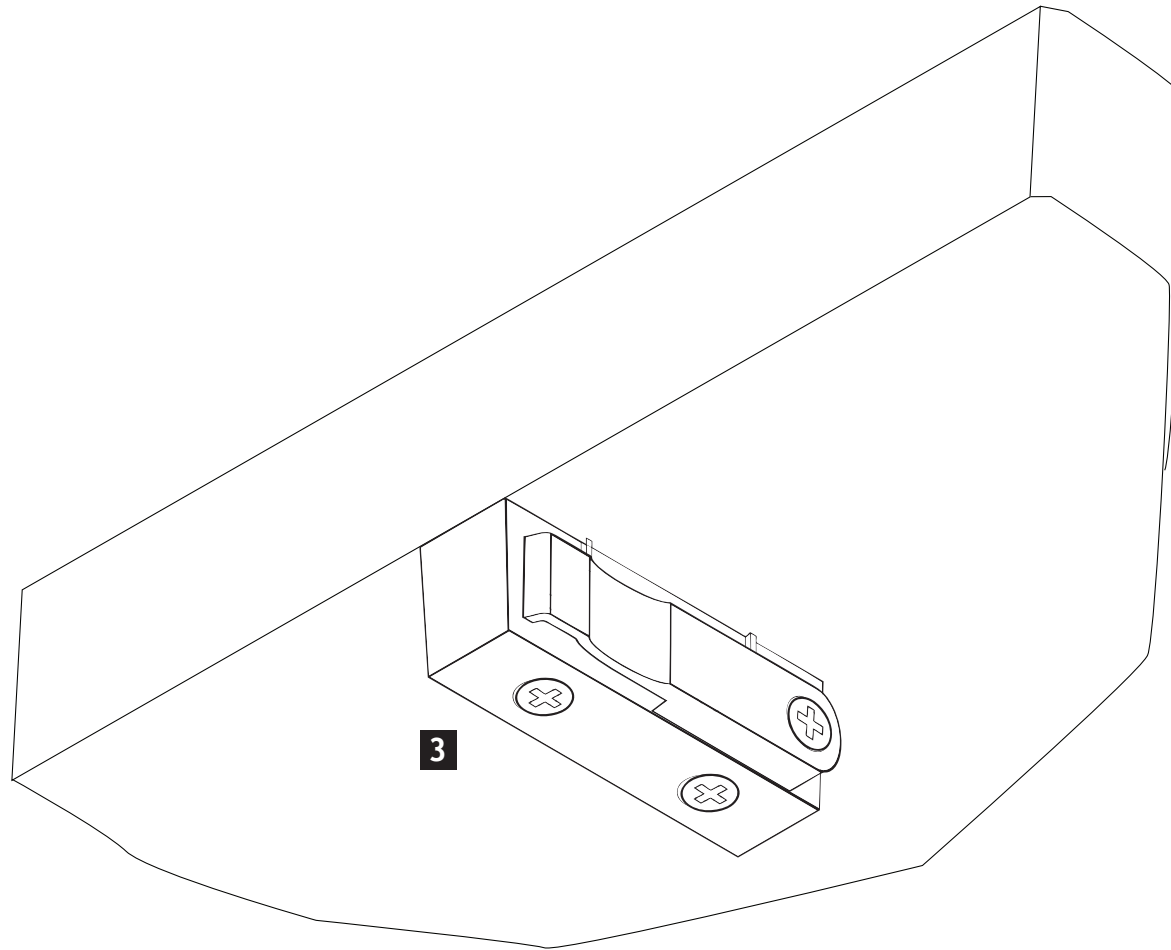
## Support catch - mounting the Keeper

PAGE:

4 of 5

DESCRIPTION:

Keeper is fitted to block screwed under cabinet top. 1.) Mount the block to the under cabinet top with two screws. Fit the Keeper pin to the holes on the side of the block. 2.) Secure Keeper placement with a screw.



NAME:  
**Support catch - mounting the Keeper**

PAGE:  
5 of 5

DESCRIPTION:  
3.) And it's done!